

APEXA® AW-1560



Features

- 15.6" Wide Bezel-Free True-Flat Display with PCAP Touch
- Highly Cost-effective POS Solution
- Power-efficient Cortex™- A17 Quad-Core Processor
- Android 7.0 with Developer-Friendly SDK
- Sleek and Compact Body with Small Footprint
- Optional 2nd Touch Displays
- Multiple I/O Interfaces for Peripherals
- Flexible Installation on a Counter or a Wall

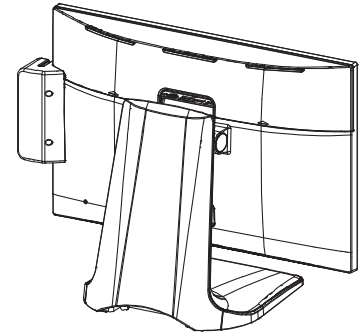
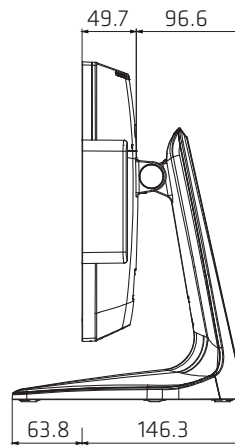
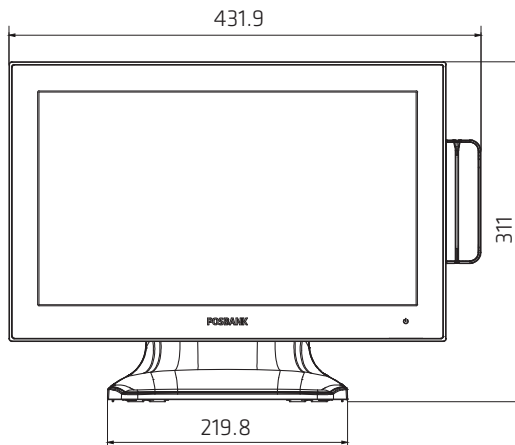
Specifications

System	Processors	Cortex™-A17 Quad-Core (Up to 1.8GHz)
	Memory	2GB Standard, DDR3L 1600 MT/s, On-board
	Storage	eMMC 16GB, On-board (Max. 64GB Optional)
	Operating Systems	Android 7.x (Nougat)
	Audio	Realtek ALC5640
Display	Type	15.6" TFT LCD, LED Backlight
	Resolution	1366 x 768
	Brightness	400 cd/m ² (typ.)
	Touchscreen	Projected Capacitive Touch
Interface	Display	1x VGA (With Power Output)
	USB	6 (Rear 2, Back 4, USB 2.0 x 6) 3 (Reserved for MSR, SCR, i-Button/Touch Controller), RJ-45
	Serial	6 (COM 1 with 5V/12V Power Output on 9 Pins, BIOS) (COM2~3 RJ-45, Full Signal) (COM4 RJ-11, Only TX/RX, 12V Power Output, Reserved for CDP) (COM5 Reserved for Cash Drawer Port) (COM6 RJ-45, Only TX/RX, 5V Power Output, Reserved for MSR)
	LAN	1x Gigabit Ethernet, RJ-45
	Audio	1x Line-out
	Power DC-IN	1x (4 Pin Connector)
	Power	Power Supply
Physical & Environmental	Operating Temperature	0 °C ~ 60 °C at 10% to 90% Humidity
	Storage Temperature	-20 °C ~ 80 °C at 10% to 90% Humidity
	Dimensions (W x H x D)	400 x 311 x 210 (mm), 15.7 x 12.2 x 8.3 (in)
	Packing Dimensions (W x H x D)	500 x 470 x 300 (mm), 19.6 x 18.5 x 11.8(in)
	Net Weight	5,300g, 11.6lbs
	Packing Weight	8,000g, 17.6lbs
	Certification	CE, FCC, KC
	Color	Matte Dark Grey, High Gloss White
Options & Peripherals	2nd Displays	9.7", 12.1", 15" LCD Display, 1024 x 768, Optional Touchscreen
	Customer Display	VFD, 20 Columns x 2 Lines
	I/O Expansion	1x COM5 (RJ-45 8 Pins) (Factory Option) 1x Cash Drawer Port (RJ-11 6 Pins) (Factory Option)
	Storage	Micro SD (Factory Option), Max 128GB
	Magnetic Stripe Reader	Comply with ISO 7811, Support 1 & 2 & 3 Track
	Smart Card Reader	EMV Level 1, 2
	Dallas	Dallas i-button Reader
	Fingerprint	Yes
	Wall Mount Kit	VESA-Compatible, 75 x 75(mm), 100 x 100(mm)
	Serial Conversion Cable	RJ-45 to D-sub 9
	Speaker	2 x 1W (Stereo) (Factory Option)
	WiFi	Bluetooth(V4.0) + WLAN(802.11 a/b/g/n, 2.4G) combo module, On-board (Factory Option)

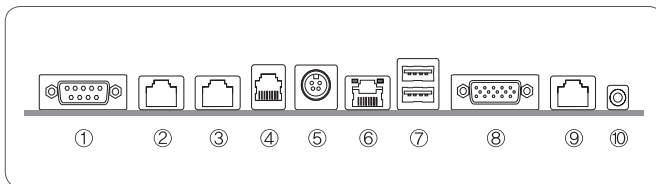
* Specifications may change without prior notice.

Dimensions

Unit : mm



I/O Interfaces



- ① COM 1
- ② COM 2
- ③ COM 3
- ④ COM 4
- ⑤ Power Connector / DC 12V
- ⑥ LAN
- ⑦ USB 2.0 x 2
- ⑧ VGA
- ⑨ MSR
- ⑩ AUDIO OUT

Ordering Information

Part No.	Description
APEXA AW_1560 (G)	Cortex A17 Quad-Core (Up to 1,8GHz) 2GB Standard, DD3L 1600MT/s, On-board eMMC 8GB, On-board Android 7.0

Peripherals



2nd Display
• 9.7", 12.1", 15" LCD



Customer Display
• VFD (2 Line x 20 Characters)



Card Reader
• MSR, SCR