

APEXA® GW-1560



Features

- 15.6" Wide Touchscreen POS Terminal
- Intel® Core™ / Pentium™ / Celeron™ Processor
- Bezel-Free TFT Display with PCAP Touch & LED Backlight
- Spill and Dust Resistant
- Contemporary and Modern Styling
- Multiple I/O Interfaces for Peripherals
- Flexible Deployment on a Counter or a Wall
- Fast Installation and Easy Serviceability

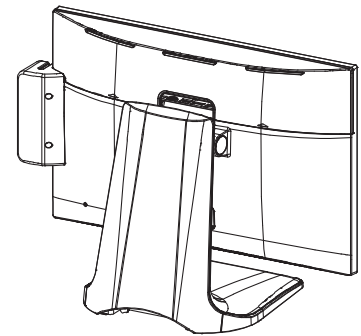
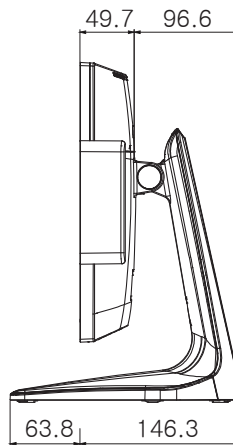
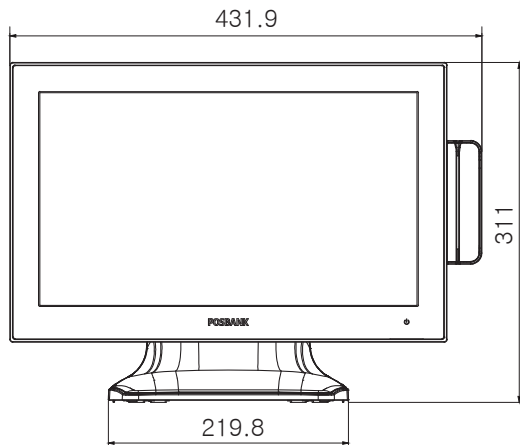
Specifications

System	Processors	Intel® Core™ i5-7200U (3M Cache, 2.50/3.10 GHz(Turbo), 2 Cores) Intel® Core™ i3-7100U (3M Cache, 2.40 GHz, 2 Cores) Intel® Pentium® 4415U (2M Cache, 2.30 GHz, 2 Cores) Intel® Celeron® 3965U (2M Cache, 2.20 GHz, 2 Cores) Intel® Celeron® J1900 (2M Cache, 2.0/2.42 GHz(Burst), 4 Cores), Fanless Intel® Celeron® J3455 (2M Cache, up to 2.3 GHz, 4 Cores), Fanless		
	Chipset	7200U/7100U/4415U/3965U Intel® Kaby Lake J1900 Intel® Bay Trail		
	Memory	7200U/7100U/4415U/3965U J1900/J3455	4GB Standard, DDR4 2133 MT/s, Socket 1x SODIMM (Max. 16GB) 4GB Standard, DDR3L 1600 MT/s, Socket 1x SODIMM	
	Storage	7200U/7100U/4415U/3965U J1900/J3455	SATA 3 (6Gb/s) 2.5 inch SSD 64GB, Support AHCI SATA 2 (3Gb/s) 2.5 inch SSD 64GB, Support AHCI	
	Operating Systems	7200U/7100U/4415U/3965U/J3455 J1900	Windows 10 IoT Enterprise Windows 7, Windows 8.1, Windows 10 IoT Enterprise, POS Ready 7	
	Audio	Realtek ALC662-VD		
Display	Type	15.6" TFT LCD, LED Backlight		
	Resolution	1366 x 768		
	Brightness	400 cd/m ² (typ.)		
	Touchscreen	Projected Capacitive Touch		
Interface	Display	1x VGA (With Power Output)		
	USB	7200U/7100U/4415U/3965U/J3455	6 (Rear 2, Back 4, USB 3.0 x 2, USB 2.0 x 4) 3 (Reserved for MSR, SCR, i-Button/Touch Controller/Camera), RJ-45	
		J1900	6 (Rear 2, Back 4, USB 2.0 x 6) 3 (Reserved for MSR, SCR, i-Button/Touch Controller/Camera), RJ-45	
	Serial	6 (COM1 with 5V/12V Power Output on 9 Pins, BIOS) (COM2~3 RJ-45, Full Signal) (COM4 RJ-11, Only TX/RX, 12V Power Output, Reserved for CDP) (COM5 Reserved for Cash Drawer Port) (COM6 RJ-45, Only TX/RX, 5V Power Output, Reserved for MSR)		
		LAN	1x Gigabit Ethernet, RJ-45	
		Audio	1x Line-out	
	Power DC-IN	7200U/7100U/4415U/3965U	1x (3 Pin Connector)	J1900/J3455 1x (4 Pin DIN Jack)
Extension Slot	7200U/7100U/4415U/3965U Mini PCIe, m-SATA J4105 M.2			
Power	Power Supply	7200U/7100U/4415U/3965U J1900/J3455	Adaptor 24V, 2.5A (3Pin DIN Plug) / 24V, 6.35A(Powered USB Option) Adaptor 12V, 5A (4Pin DIN Plug)	
	Operating Temperature	0 °C ~ 60 °C at 10% to 90% Humidity		
Physical & Environmental	Storage Temperature	-20 °C ~ 80 °C at 10% to 90% Humidity		
	Dimensions (W x H x D)	400 x 311 x 210 (mm), 15.7 x 12.2 x 8.3 (in)		
	Packing Dimensions (W x H x D)	500 x 470 x 300 (mm), 19.6 x 18.5 x 11.8 (in)		
	Net Weight	7,000g, 15.4lbs		
	Packing Weight	9,000g, 19.8lbs		
	Certification	CE, FCC, KC		
	Color	Matte Dark Grey, High Gloss White		
Options & Peripherals	2nd Displays	9.7", 12.1", 15" LCD Display, 1024 x 768, Optional Touchscreen		
	Customer Display	VFD, 20 Columns x 2 Lines		
	I/O Expansion	7200U/7100U/4415U/3965U	1x COM5 (RJ-45 8 Pins) (Factory Option) 1x Cash Drawer Port (RJ-11 6 Pins) (Factory Option) 1x Powered USB (24V)	
		J1900/J3455	1x COM5 (RJ-45 8 Pins) (Factory Option) 1x Cash Drawer Port (RJ-11 6 Pins) (Factory Option)	
	Storage	2.5 inch SSD 128GB, HDD 500GB, 1TB		
	Magnetic Stripe Reader	Comply with ISO 7811, Support 1 & 2 & 3 Track		
	Smart Card Reader	EMV Level 1, 2		
	Dallas	Dallas i-button Reader		
	Fingerprint	Yes		
	Camera	5M USB Interface (Internal) (Factory Option)		
Wall Mount Kit	VESA-Compatible, 75 x 75(mm), 100 x 100(mm)			
Serial Conversion Cable	RJ-45 to D-sub 9			
Speaker	2 x 1W (Stereo) (Factory Option)			

* Specifications may change without prior notice.

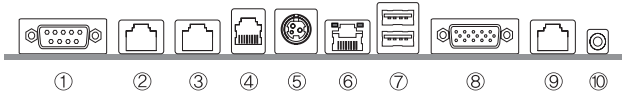
Dimensions

Unit : mm



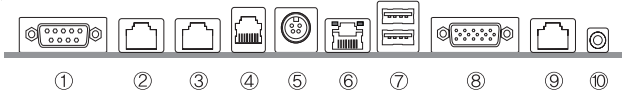
I/O Interfaces

IT8786E



- | | |
|----------------------------|---------------|
| ① COM 1 | ⑥ LAN |
| ② COM 2 | ⑦ USB 3.0 x 2 |
| ③ COM 3 | ⑧ VGA |
| ④ COM 4 | ⑨ MSR |
| ⑤ Power Connector / DC 24V | ⑩ AUDIO OUT |

J19



- | | |
|----------------------------|---------------|
| ① COM 1 | ⑥ LAN |
| ② COM 2 | ⑦ USB 2.0 x 2 |
| ③ COM 3 | ⑧ VGA |
| ④ COM 4 | ⑨ MSR |
| ⑤ Power Connector / DC 12V | ⑩ AUDIO OUT |

Ordering Information

Part No.	Description
APEXA GW_1560 (G)	Intel Celeron J1900 Quad-Core, DDR3 4GB, SSD 64GB, 15.6" P-CAP Touch, Dark Grey, No O/S
APEXA GW_P_1560 (G)	Intel Pentium 4415U, DDR4 4GB, SSD 64GB, 15.6" P-CAP Touch, Dark Grey, No O/S
APEXA GW_P_1560 (G)	Intel Core i5 7200U, DDR4 4GB, SSD 64GB, 15.6" P-CAP Touch, Dark Grey, No O/S

Peripherals



2nd Display
• 9.7", 12.1", 15" LCD



Customer Display
• VFD (2 Line x 20 Characters)



Card Reader
• MSR, SCR